



- Measurement of hard to handle liquids
- Twelve sizes covering flow ranges from 0.25 to 1500 US GPM
- Accuracy: +0.5% linear, +0.1% repeatable
- Custom or standard design
- Versatile mounting
- Variety of corrosion resistant materials to meet application requirements
- Low pressure drop
- Easy installation

Corrosive Sizing Chart

Nomina Meter Size	Nominal Flow Range				Meter Factor	APPROX.
	U.S. Gallons per Minute				Pulses/U.S.	Meter WT.*
	Min. Repeatable	Min. Linear	Nomina Max.	Extende Min.	"K"	LBS/Kg
1/4	0.25	0.5	3.5	3.5	4630	0.5
3/8	0.3	0.75	5.0	6	2200	0.5
1/2	0.6	1.25	9.5	12	850	0.75
5/8	0.9	1.75	16	20	1750	0.75
3/4	1.5	2.5	29	30	765	1.0
1	2.0	4.0	60	75	468	1.25
1 1/4	3.0	6.0	93	115	160	1.5
1 1/2	5.0	8.0	130	175	231	2.5
2	11	15	225	275	35	3.5
2 1/2	15	25	400	500	12	5.0
3	20	40	650	800	8	10.0
4	50	75	1250	1500	4	20.0

The R&W Corrosive Series precision turbine flowmeter combines the proven design of our standard line turbine flowmeter with new materials of construction. This combination makes our Corrosive Series precision turbine flowmeters compatible with most corrosive medias. The reliability, accuracy, and small size of our precision turbine flowmeters can be used to measure such hard to handle liquids as Hydrochloric acid, Chlorine, Muriatic and Sulfuric acid accurately.

Materials of construction can be Teflon, CPVC, Kynar, etc. Typical applications include rate indication and totalization for batching, blending, filling, and process control.

Our Corrosive Series precision turbine flowmeter produces an AC sine wave signal output proportional to volumetric flow rate. When combined with our electronic controls, these devices can be used for a variety of applications .

*Weight is for flanged meters.

CORROSIVE METER MODEL NUMBERING SYSTEM

Meter Size		Bearing Type		Shaft Type		Body Material		Endfitting Type	
Type	Use	Type	Use	Type	Use	Type	Use	Type	Use
CS	1/4	Teflon	T	304	4	CPVC	CPVC	150	150
CS	3/8	Graphitar	G	316	6	KYNAR	KYNAR	Special*	S
CS	1/2	Kynar	K	Hastelloy B	HB	Teflon	TEFLON		
CS	5/8			Hastelloy C	HC	Kelf	KELF		
CS	3/4			Inconel	IN	Polypropylene	POLYPROPYLEN		
CS	1			Monel	MN				
CS	1 1/4			Titanium	TI				
CS	1 1/2			Tantalum	TA				
CS	2								
CS	2 1/2								
CS	3								
CS	4								

Corrosive Model Number Selection Guide:

Corrosive Series Precision Flowmeter model numbers follow the following form (fill in the item in parenthesis with items from the table below):
CS(Size)-(Bearing)-(Shaft)-(Body Material)-(Endfitting Type)



R&W FLOW METERS - CORROSIVE SERIES

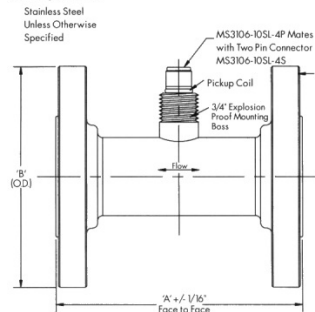
Meter size is based on nominal inside diameter of pipe. Special flanges can usually be provided to specification.

For hazardous areas, pick up coils with explosion proof housings can be provided.

All Flowmeters 1/2" and smaller will be provided with 1/2" end fittings unless otherwise specified.

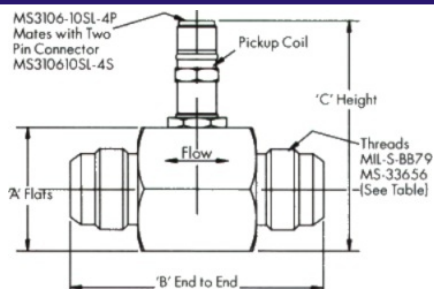
End Flanged (1/2"-12")

Sizes 1/2" - 12"



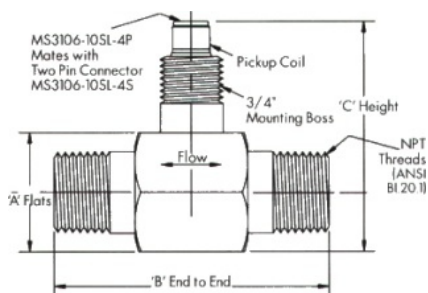
Line Size	150# ASA		300# ASA		400# ASA		600# ASA		900# ASA		1500# ASA		2500# ASA	
	A	B	A	B	A	B	A	B	A	B	A	B	A	B
1/4"-1/2"	5	3 1/2	5	3 3/4	5	3 3/4	5	3 3/4	7	4 3/4	7	4 3/4	7	5 1/4
5/8	5 1/2	3 1/2	5 1/2	3 3/4	5 1/2	3 3/4	5 1/2	3 3/4	7	4 3/4	7	4 3/4	7	5 1/4
3/4	5 1/2	3 7/8	5 1/2	4 5/8	5 1/2	4 5/8	5 1/2	4 5/8	7	5 1/8	7	5 1/8	7	5 1/2
1	5 1/2	4 1/4	5 1/2	4 7/8	5 1/2	4 7/8	5 1/2	4 7/8	8	5 7/8	8	5 7/8	8	6 1/4
1 1/4	6	4 5/8	6	5 1/4	6	5 1/4	6	5 1/4	8	6 1/4	8	6 1/4	8	7 1/4
1 1/2	6	5	6	6 1/8	6	6 1/8	6	6 1/8	9	7	9	7	9	8
2	6 1/2	6	6 1/2	6 1/2	6 1/2	6 1/2	6 1/2	6 1/2	9	7	9	7	9	8
2 1/2	7	7	7	7 1/2	7	7 1/2	7	7 1/2	10	9 5/8	10	9 5/8	10	10 1/2
3	10	7 1/2	10	8 3/4	10	8 3/4	10	8 3/4	10	9 1/2	10	10 1/2	11	12
3 1/2	12	8 1/2	12	9	12	9	12	9	-	-	-	-	-	-
4	12	9	12	10	12	10	12	10 3/4	12	11 1/2	12	12 1/4	12	14
5	14	10	14	11	14	11	14	13	14	13 3/4	14	15 1/2	16	19
6	14	11	14	12 1/2	14	12 1/2	14	14	14	15	14	15 1/2	16	19
8	16	13 1/2	16	15	16	15	16	16 1/2	16	18 1/2	16	19	18	21 3/4
10	20	16	20	17 1/2	20	17 1/2	20	20	20	21 1/2	20	23	22	26 1/2
12	24	19	24	20 1/2	24	20 1/2	24	22	24	24	24	26 1/2	24	30

MS Flared Tube (Sizes 1/8"-2")

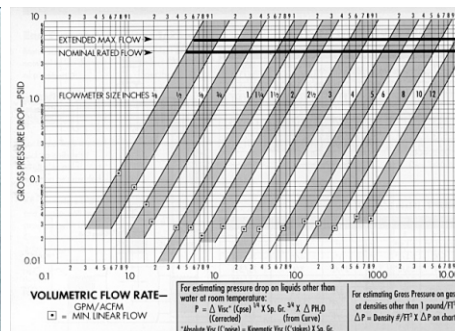
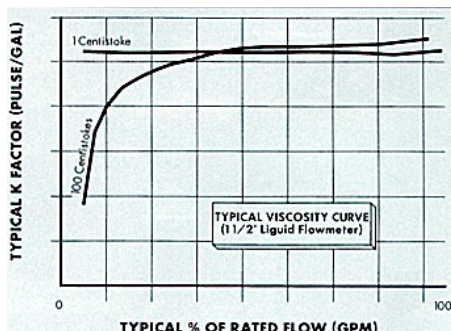
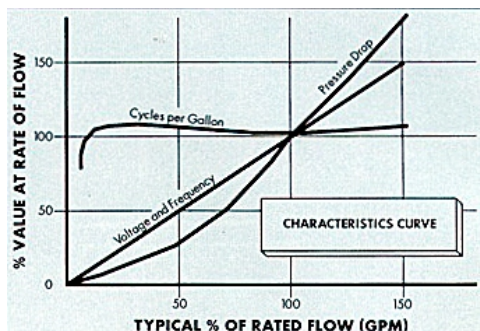


Size	DIMENSIONS (INCHES)			END CONNECTIONS	APPROX. WEIGHT (OZ.)
	A	B	C	FLARED TUBED	STAINLESS STEEL
1/8-1/2	11/8	29/16	3	3/4-16UNJF-3A	6
5/8	11/8	23/4	3	7/8-14UNJF-3A	12
3/4	15/8	31/4	3 1/2	11/16-12UNJ-3A	12
1	15/8	31/2	4	15/16-12UNJ-3A	22
1 1/4	2	37/8	4 3/8	15/8-12NJ-3A	28
1 1/2	21/8	43/8	4 5/8	17/8-NJ-3A	37
2	23/4	43/4	5 3/8	21/2-12UNJ-3A	48

MNPT Flared Tube (Sizes 1/8"-3")



Size	DIMENSIONS (INCHES)			END CONNECTIONS	APPROX. WEIGHT (OZ.)
	A	B	C	MNPT	S. STEEL
1/8-1/2	11/8	3	3	1/2	6
5/8	11/8	3	3	1/2	12
3/4	15/8	3 1/4	3 1/2	3/4	12
1	15/8	3 1/2	4	1	22
1 1/4	2	37/8	4 3/8	1 1/4	28
1 1/2	21/8	43/8	4 5/8	1 1/2	37
2	23/4	43/4	5 3/8	2	48
2 1/2	31/4	61/16	5 3/8	2 1/2	55
3	3 1/2	10	5 3/8	3	160



*All dimensions in inches.

*All dimensions in inches.

*All dimensions in inches.